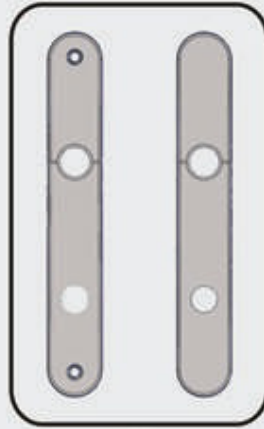
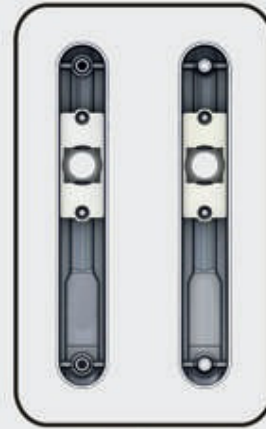


CYLINDER
YAYSIZ



WC
WC



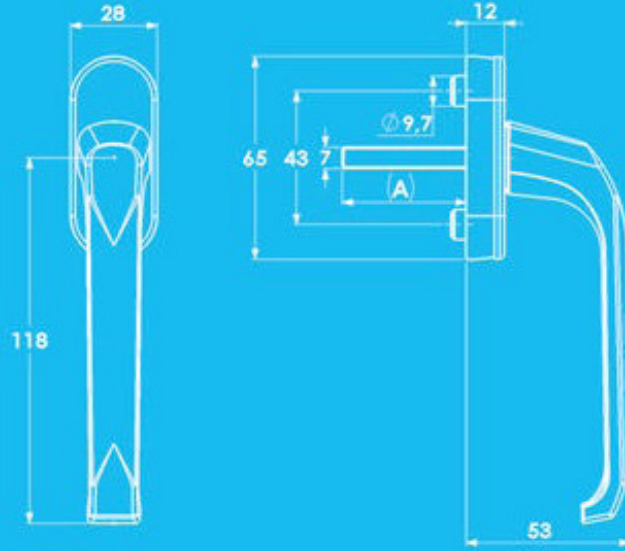
WITH SPRING
YAYLI

TEKNİK ÖZELLİKLER ve ÜRÜN KODU
TECHNICAL SPECIFICATIONS AND PRODUCT CODE

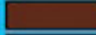

| KOL İSMİ HANDLE NAME | TİP TYPE | A | B | C | D | E | VİDA BOYU SCR LENGHT | DEMİR BOYU SQU LENGHT | KARE SQU | VİDA ADT SCR QUA | RAL KODU COLOR | |
|-------------------------|-------------|-------|----|-----|-----|----|-------------------------|--------------------------|-------------|---------------------|-------------------|------|
| FLIPPER | YAYLI | BAREL | 28 | 216 | 251 | 78 | 92 | 70 | 8 | 2 | (3) | 9016 |
| | | BAREL | 25 | 195 | 226 | 65 | 85 | | | | | 8003 |
| | YAYSIZ | WC | 28 | 200 | 230 | 70 | 92 | | | | | 8016 |
| | | | 34 | | | | (90) (WC) | | | | | 8019 |
| | | | | | | | | | | | 8022 | |



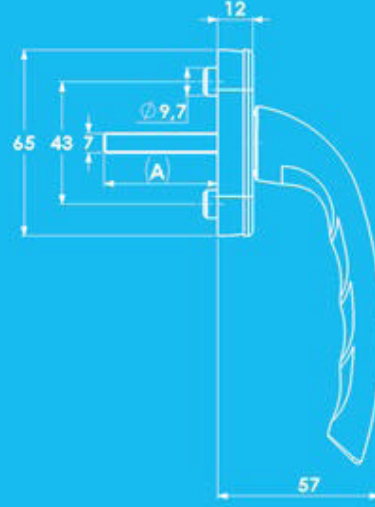
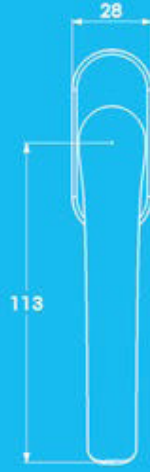
FLIPPER



Alm. Pencere Kolu
Alm. Window Handle
Алюм. Оконная Ручка

| TEKNİK ÖZELLİKLER ve ÜRÜN KODU TECHNICAL SPECIFICATIONS AND PRODUCT CODE | | | | | |
|---|-------------|-------------------------|------------------------------|----------------------------|--|
| KOL ÇİNSİ HANDLE TYPE | TİP TYPE | VİDA BOYU SCR LENGHT | DEMİR BOYU (A) SQU LENGHT | KLT KONUMU LOCKING POS. | RAL KODU COLOR |
| FLIPPER | SVM | 45 | 35 | 45 | 9016  |
| | | 50 | 40 | | 90 |
| | | | | | 8016  |
| | | | | | 8019  |
| | | | | | 8022  |

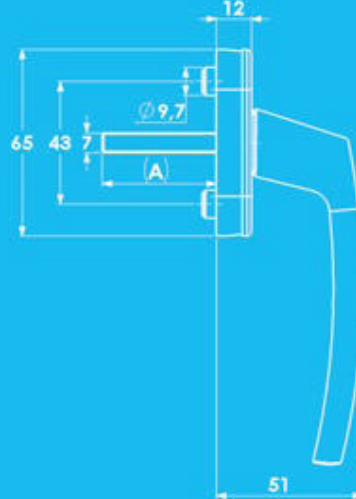
SAFİR



Alm. Pencere Kolu
Alm. Window Handle
Алюм. Оконная Ручка

| TEKNİK ÖZELLİKLER ve ÜRÜN KODU TECHNICAL SPECIFICATIONS AND PRODUCT CODE | | | | | |
|---|-------------|-------------------------|------------------------------|------------------------------|-------------------|
| KOL CİNSİ HANDLE TYPE | TİP TYPE | VIDA BOYU SCR LENGHT | DEMİR BOYU (A) SQU LENGHT | KİLİT KONUMU LOCKING POS. | RAL KODU COLOR |
| SAFİR | SVM | 45 | 35 | 45 | 9016 |
| | | 50 | 40 | 90 | 8003 |
| | | | | | 8016 |
| | | | | | 8019 |
| | | | | | 8022 |

ELİT



Alm. Pencere Kolu
Alm. Window Handle
Алюм. Оконная Ручка

| TEKNİK ÖZELLİKLER ve ÜRÜN KODU TECHNICAL SPECIFICATIONS AND PRODUCT CODE | | | | | |
|---|-------------|-------------------------|------------------------------|------------------------------|-------------------|
| KOL CİNSİ HANDLE TYPE | TİP TYPE | VIDA BOYU SCR LENGHT | DEMİR BOYU (A) SQU LENGHT | KİLİT KONUMU LOCKING POS. | RAL KODU COLOR |
| ELİT | SVM | 45 | 35 | 45 | 9016 |
| | | 50 | 40 | 90 | 8003 |
| | | | | | 8016 |
| | | | | | 8019 |
| | | | | | 8022 |